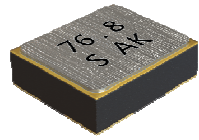


# CRYSTAL OSCILLATOR XTL5D



## Applications

- Mobile Communication
- UWB

## Features

- Ultra thin / Dimensions (1.2×1.0×0.55)
- Crystal Unit with Thermistor
- High Reliability and High Stability

## Specifications

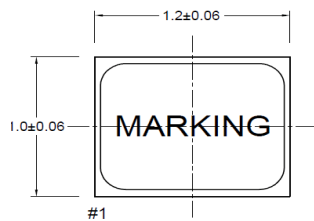


Model	XTL5D
Nominal frequency range	38.400~76.800 MHz
Nomianl frequency (MHz)	38.400, 52.000, 55.2000, 76.800 MHz
Storage temperature range	-40 ~ +105 °C
Operating temperature range	-30 ~ +105 °C
Frequency temperature characteristics(Ref. to +25°C)	$\pm 12 \times 10^{-6}$
Frequency tolerance (at +25°C)	$\pm 10 \times 10^{-6}$
Equivalent series resistance	50Ω : 38.4.000~52.000MHz
	30Ω : 76.800MHz
Load capacitance	7,8,9 pF
Shunt capacitance	3 pF max.

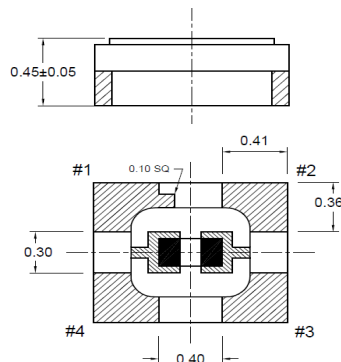
Thermistor	
Resistance	100KΩ ±1%
B-Constant	4250K ±1%

Package quantity : 3,000pcs max./Reel

## Outline and Dimensions [unit: mm]



Pin Connection	
#1, #3	Crystal
#2	Thermistor & GND
#4	Thermistor



### LAND PATTERN (REFERENCE)

