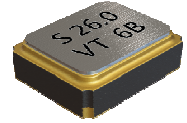


# TEMPERATURE-COMPENSATED OSCILLATOR TXO97(Low Phase Noise)



## Applications Features

- GPS / LTE / Femtocell
- Ultra-thin / Dimensions (2.0x1.6x0.8)
- Ultra Low phase noise
- Seam sealed
- High stability  $\pm 0.5\text{ppm}$  /  $-40 \sim +85^\circ\text{C}$

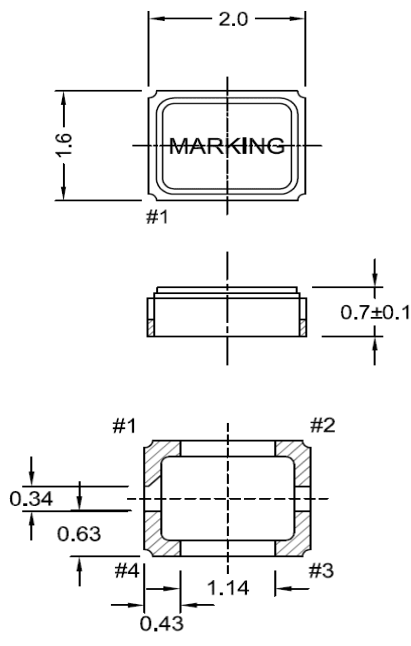
## Specifications



Model		TXO97
Nominal frequency		24.000~104.000MHz
Nominal frequency (MHz)		26, 38.4, 52, 76.8
Frequency stability	Tolerance at 25°C	$\pm 2.0 \times 10^{-6}$ (Sixty minutes after reflow)
	Temperature (Ref.to+25°C)	$\pm 0.5 \times 10^{-6}$ / $-40 \sim +85^\circ\text{C}$
	Supply voltage change	$\pm 0.2 \times 10^{-6}$ / $V_{dd} \pm 5\%$
	Load change	$\pm 0.2 \times 10^{-6}$ / $Z_L \pm 10\%$
Aging (at 25°C)		$\pm 1.0 \times 10^{-6}$ / year at +25°C
Storage temperature range		$-40 \sim +85^\circ\text{C}$
Power supply voltage		+1.8V ~ +3.3V $\pm 5\%$
Current consumption		3.0mA max. (~52MHz), 4.0mA max. (~80MHz), 5.0mA max. (~104MHz)
Output	Load (ZL)	10k $\Omega$ /10pF
	Voltage	0.8V p-p min.
	Waveform	Clipped Sine Wave (DC-coupled output)
Phase Noise		-140dBc typ. at 1kHz offset
		-163dBc typ. at 100kHz offset

Package quantity : 3,000pcs max./Reel

## Outline and Dimensions [unit: mm]



Terminal	Connection
#1	OE
#2	GND
#3	OUTPUT
#4	Vcc

OE Function	
OE High	OUTPUT Active
OE Low	OUTPUT Hi-Impedance

## LAND PATTERN (REFERENCE)

