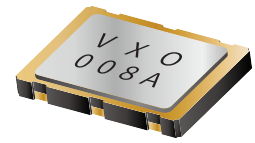


VOLTAGE CONTROLLED CRYSTAL OSCILLATOR

VCX92



Applications

- MPEG / ADSL / Settop Box
- Smart Metering

Features

- Dimensions (7.0 × 5.0 × 1.6)
- Ceramic SMD Package / Seam sealed
- Low control voltage and CMOS Output
- Reflow soldering / Emboss taping / Wide pulling range
- Tri-state Option

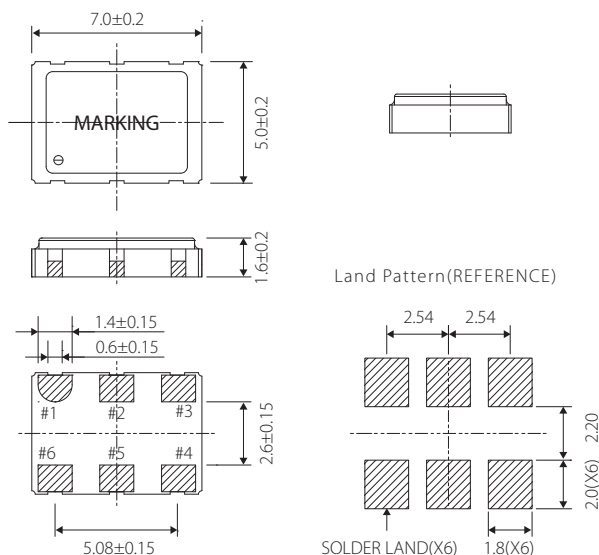
Specifications



Model	VCX92
Frequency range	1.5~54.0MHz
Storage temperature range	-55 ~ +125°C
Operating temperature range	-40~+85°C
Frequency stability	± 30ppm/ ± 50ppm
Power supply voltage	3.3V DC ± 10%
Current consumption	10mA max@~20M
	15mA max@~40M
	25mA max@~54M
External control function External control voltage	± 100ppm min./1.65V ± 1.5V
Modulation Characteristics	15KHz min.
Output level	C-MOS
Output load	15pF
Output Voltage level	V _{OL} : 10%V _{CC} max. / V _{OH} : 90%V _{CC} min.
Rise & Fall time	6ns max.@10%V _{CC} ~ 90%V _{CC}
Duty cycle	45~55%@50%V _{CC}
Start-up time	5ms max.
Phasa Jitter	1ps max.@12KHz to 20MHz
Jitter	-130dBc/Hz max.(at 1KHz)@F=27MHz/V _{dd} =3.3V

Package quantity: 3,000pcs max./Reel.

Outline and Dimensions [unit:mm]



Terminal	Connection
#1	+VC
#2	INH,(N.C)
#3	GND
#4	Output
#5	N.C,(INH)
#6	+Vdd